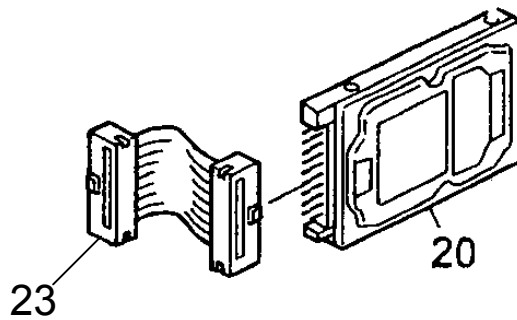


Model: Mojito Printer Controller TypeB		Date: 27-Aug-01	No.: MG594001
Modified Article: HDD Harness		Prepared by: A. Sasaki	
From: Technical Services Dept., GTS Division			
Reason for Modification:	<input checked="" type="checkbox"/> Parts catalog correction	<input type="checkbox"/> Vendor change	<input type="checkbox"/> To meet standards ( )
	<input type="checkbox"/> To facilitate assembly	<input type="checkbox"/> To improve reliability	
	<input type="checkbox"/> Part standardization	<input type="checkbox"/> Other	

Please add the following newly registered component to your Parts Catalogs:

Old part number	New part number	Description	Q'ty	Int	Page	Index	Note
	G588 5150	HDD Harness	1		3	23	*1

\*1) New index



Model: Mojito Printer Controller Type B		Date: 27-Aug-01	No.: MG594002
Modified Article: HDD		Prepared by: A. Sasaki	
From: Technical Service Dept., GTS Division			
Reason for Modification:	<input type="checkbox"/> Parts catalog correction	<input type="checkbox"/> Vendor change	<input type="checkbox"/> To meet standards ( )
	<input type="checkbox"/> To facilitate assembly	<input type="checkbox"/> To improve reliability	
	<input checked="" type="checkbox"/> Part standardization	<input type="checkbox"/> Other	

To standardize with the Bellini printer controller Type B, the HDD has been changed as shown below.

**Note:** There is no change in function or performance.

Old part number	New part number	Description	Q'ty	Int	Page	Index	Note
G588 5130	G594 5130	HDD	1	O/O	3	20	

Model: Mojito Printer Controller Type B		Date: 17-Sep-01	No.: MG594003
Modified Article: HDD		Prepared by: F. Noguchi	
From: Technical Services Dept., GTS Division			
Reason for Modification:	<input type="checkbox"/> Parts catalog correction	<input checked="" type="checkbox"/> Vendor change	<input type="checkbox"/> To meet standards ( )
	<input type="checkbox"/> To facilitate assembly	<input type="checkbox"/> To improve reliability	
	<input type="checkbox"/> Part standardization	<input type="checkbox"/> Other	

Due to a vendor request, the HDD has been changed as shown below.

**Note:** There is no change in function or performance.

Old part number	New part number	Description	Q'ty	Int	Page	Index	Note
G594 5130	G588 5190	HDD	1	O/O	3	20	